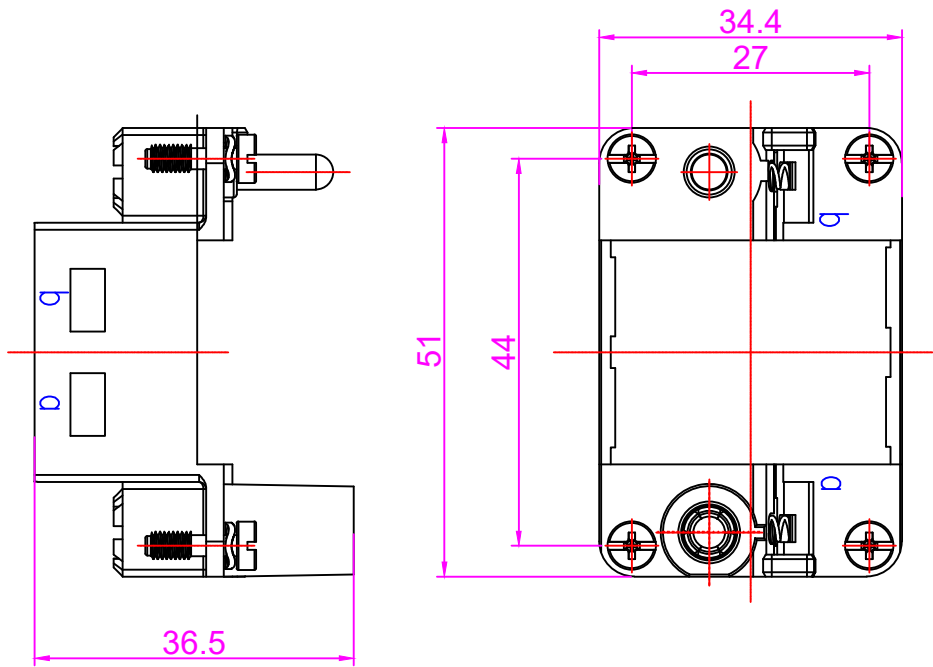
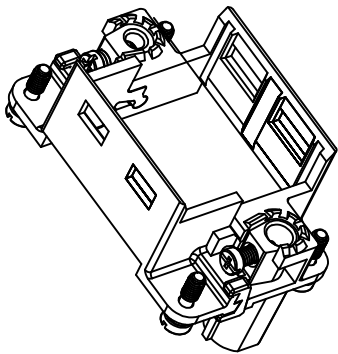


REVISION DATA				
SYM	ECN	DESCRIPTION	DATE	APPROVED



技术参数:
 材料: 锌合金
 表面处理: 镀锌
 温度范围: -40°C~+125°C
 模块数量: 2
 接地线、
 功率线: 4~10mm² (AWG12-8)
 信号线: 1~2.5mm² (AWG18-14)
 插拔次数: ≥500

Specifications:
 Material: zinc alloy
 Surface: Galvanization
 Limiting temperatures: -40°C~+125°C
 Number of modules:2
 PE contact,
 Power side:
 Wire gauge--mm²: 4.0~10mm²
 Wire gauge--AWG: 12-8
 Signal side:
 Wire gauge--mm²: 1.0~2.5mm²
 Wire gauge--AWG: 18-14
 Mechancial working life (Mating cycles): ≥500



Tolerance		SIGNATURE	DATE	Units	mm	NINGBO OUKERUI CONNECTOR CO., LTD.		
0~≤20 ±0.15	DRAW			Size	A4	PART NAME: HZW-HF6B-LA		
20~≤50 ±0.25	DESIGN			Scale		Drawing NO.		REV
50~≤80 ±0.35	CHECK			Sheet		Material		A
80~≤120 ±0.50	APPROVE			Proj.	⊕			

OUKERUI 宁波欧科瑞连接器有限公司
 NINGBO OUKERUI CONNECTOR CO., LTD.

PART NAME: HZW-HF6B-LA

Drawing NO. REV

Material A