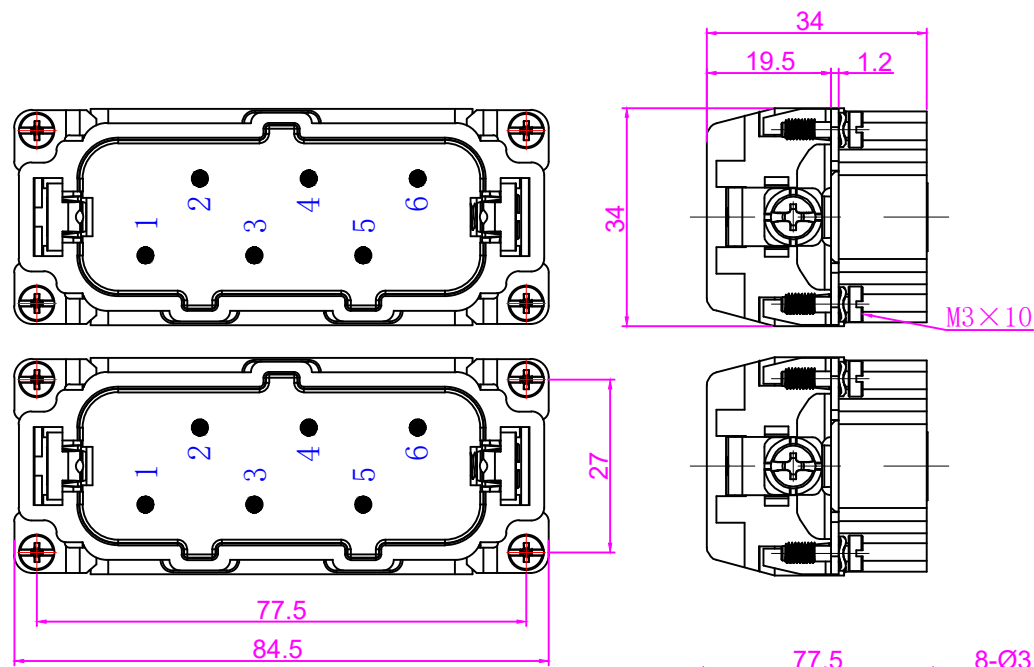


		REVISION DATA		
SYM	ECN	DESCRIPTION	DATE	APPROVED

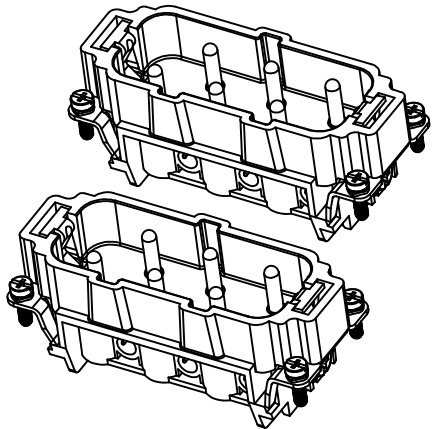


技术参数:
 插芯:
 插针数: 12+PE
 额定电流: 35A
 工作电压: 400/690V
 额定脉冲电压: 6KV
 污染等级: 3
 依据UL/CSA的额定电压: 600V
 绝缘阻抗: $\geq 10^{10} \Omega$
 材料: 聚碳酸酯
 温度范围: $-40^{\circ}\text{C} \sim +125^{\circ}\text{C}$
 依据UL94的阻燃等级: V0
 可插拔次数: ≥ 500

插针:
 接线方式: 螺钉连接
 材料: 铜合金
 表面处理: 镀银
 接触电阻: $\leq 1\text{m}\Omega$
 线径范围: 4.0~6.0mm² (AWG12-10)
 拧紧力矩: 1.2N·m

Specifications:
 Inserts:
 Number of contacts: 12+PE
 Rated current: 35A
 Rated voltage: 400/690V
 Rated impulse voltage: 6KV
 Pollution degree: 3
 Rated voltage acc. to UL/CSA: 600V
 Insulation resistance: $\geq 10^{10} \Omega$
 Material: Polycarbonate
 Limiting temperatures: $-40^{\circ}\text{C} \sim +125^{\circ}\text{C}$
 Flammability acc. to (UL94): V0
 Mechanical working life -mating cycles: ≥ 500

Contacts:
 Terminal: screw terminal
 Material: Brass
 Surface: hard-silver plated
 Contact resistance: $\leq 1\text{m}\Omega$
 Crimp terminal
 Wire gauge—mm²: 4.0~6.0mm²
 Wire gauge—AWG: 12-10
 Tightening/Test torque: 1.2N·m



面板开孔图
 Panel cut

Tolerance		SIGNATURE	DATE	Units	mm
0~≤20 ±0.15	DRAW			Size	A4
20~≤50 ±0.25	DESIGN			Scale	
50~≤80 ±0.35	CHECK			Sheet	
80~≤120 ±0.50	APPROVE			Proj.	

宁波欧科瑞连接器有限公司
 NINGBO OUKERUI CONNECTOR CO.,LTD.

PART NAME: HZW-HSB-012-M

Drawing NO.	REV
Material	A