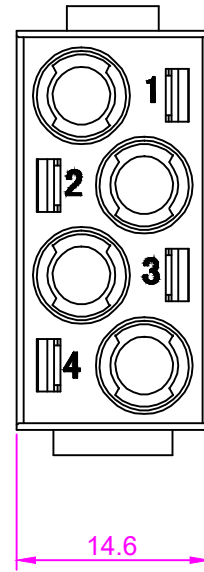
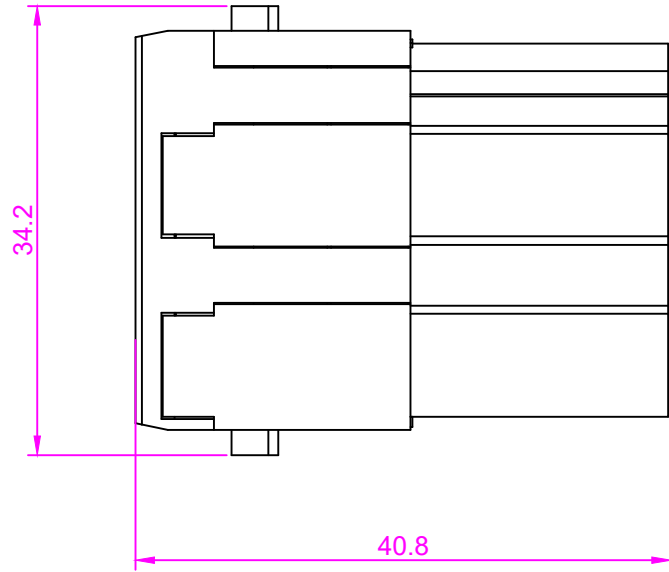


REVISION DATA				
SYM	ECN	DESCRIPTION	DATE	APPROVED

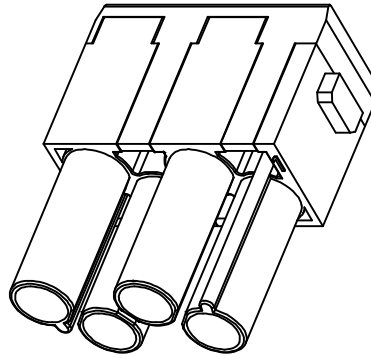



技术参数：
 插芯：
 插针数：4
 额定电流：40A
 工作电压：830V
 额定脉冲电压：8KV
 污染等级：3
 材料：Polycarbonate

Specifications:
 Inserts:
 Number of contacts: 4
 Rated current: 40A
 Rated voltage: 830V
 Rated impulse voltage: 8KV
 Pollution degree: 3
 Material: Polycarbonate

插针：
 接线方式：冷压连接
 材料：铜合金
 表面处理：镀银
 接触电阻： $\leq 3m\Omega$
 线径范围：1.5~10mm² (AWG16-8)

Contacts:
 Terminal: screw terminal
 Material: Brass
 Surfac: hard-silver plated
 Contact resistance: $\leq 3m\Omega$
 Crimp terminal
 Wire gauge--mm²: 1.5~10mm²
 Wire gauge--AWG: 16-8



Tolerance		SIGNATURE	DATE	Units	mm	 宁波欧科瑞连接器有限公司 NINGBO OUKERUI CONNECTOR CO.,LTD.			
0~ ≤ 20	± 0.15	DRAW		Size	A4	PART NAME: HZW-HMK4-004-FC			
20~ ≤ 50	± 0.25	DESIGN		Scale		Drawing NO.		REV	
50~ ≤ 80	± 0.35	CHECK		Sheet		Material			A
80~ ≤ 120	± 0.50	APPROVE		Proj.	