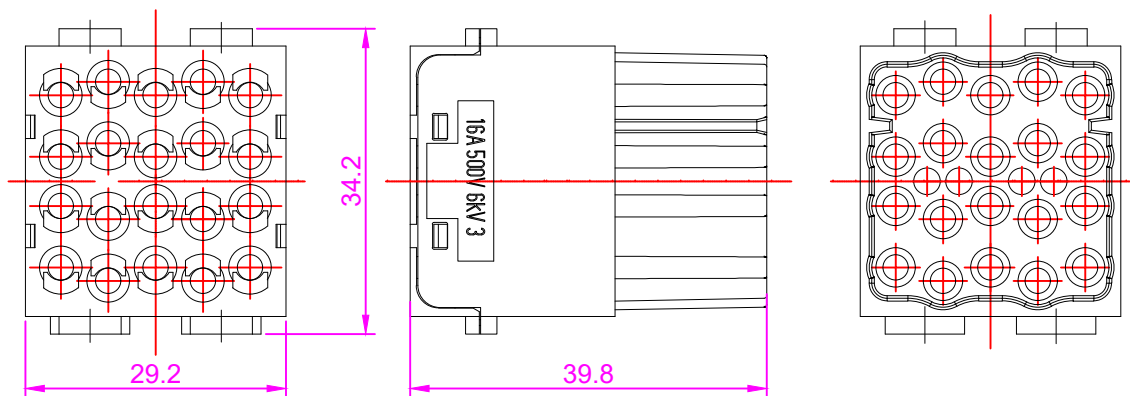


REVISION DATA				
SYM	ECN	DESCRIPTION	DATE	APPROVED

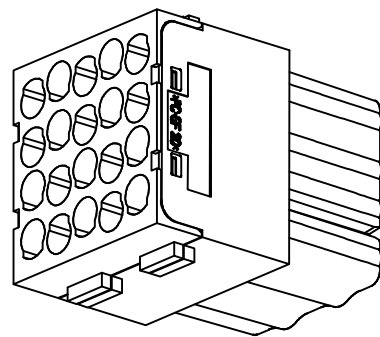



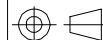
技术参数:
 插芯:
 插针数: 20
 额定电流: 16A
 工作电压: 500V
 额定脉冲电压: 6KV
 污染等级: 3
 材料: Polycarbonate

Specifications:
 Inserts:
 Number of contacts: 20
 Rated current: 16A
 Rated voltage: 500V
 Rated impulse voltage: 6KV
 Pollution degree: 3
 Material: Polycarbonate

插针:
 接线方式: 冷压连接
 材料: 铜合金
 表面处理: 镀银/镀金
 接触电阻: $\leq 1m\Omega$
 线径范围: $0.14\sim 4mm^2$ (AWG26-12)

Contacts:
 Terminal: screw terminal
 Material: Brass
 Surfacc: hard-silver plated/Glod plated
 Contact resistance: $\leq 1m\Omega$
 Crimp terminal
 Wire gauge-- mm^2 : $0.14\sim 4.0mm^2$
 Wire gauge--AWG: 26-12



Tolerance		SIGNATURE	DATE	Units	mm	 宁波欧科瑞连接器有限公司 NINGBO OUKERUI CONNECTOR CO.,LTD.	
0~ ≤ 20	± 0.15	DRAW		Size	A4		
20~ ≤ 50	± 0.25	DESIGN		Scale			
50~ ≤ 80	± 0.35	CHECK		Sheet			
80~ ≤ 120	± 0.50	APPROVE		Proj.		PART NAME: HZW-HMEE-020-FC	
						Drawing NO.	REV
						Material	A