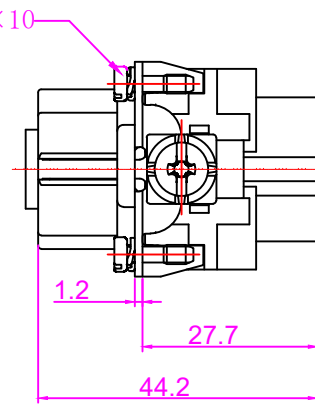
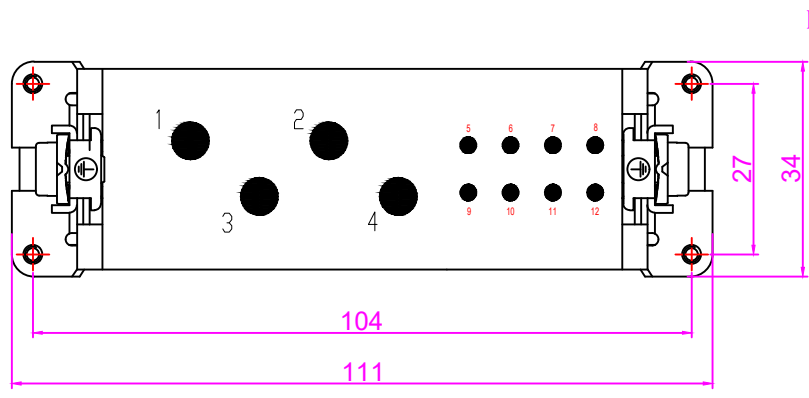
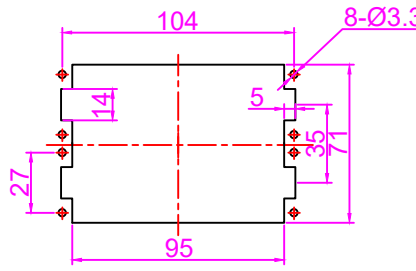


| REVISION DATA | | | | |
|---------------|-----|-------------|------|----------|
| SYM | ECN | DESCRIPTION | DATE | APPROVED |
| | | | | |
| | | | | |



技术参数:
 插芯:
 插针数: 4/8+PE
 电源:
 额定电流: 80A
 工作电压: 400V
 额定脉冲电压: 6KV
 污染等级: 3
 信号:
 额定电流: 16A
 工作电压: 400V
 额定脉冲电压: 6KV
 污染等级: 3
 依据UL/CSA的额定电压: 600V
 绝缘阻抗: $\geq 10^{10} \Omega$
 材料: 聚碳酸酯
 温度范围: $-40^{\circ}\text{C} \sim +125^{\circ}\text{C}$
 依据UL94的阻燃等级: V0
 可插拔次数: ≥ 500

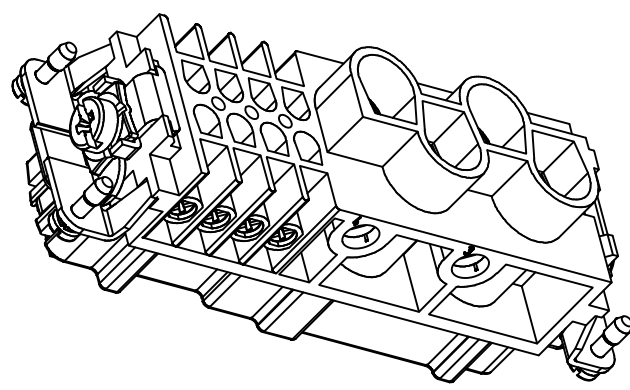
Specifications:
 Inserts:
 Number of contacts: 4/8+PE
 Power arera:
 Rated current: 80A
 Rated voltage: 400V
 Rated impulse voltage: 6KV
 Pollution degree: 3
 Signal area:
 Rated current: 16A
 Rated voltage: 400V
 Rated impulse voltage: 6KV
 Pollution degree: 3
 Rated voltage acc. to UL/CSA: 600V
 Insulation resistance: $\geq 10^{10} \Omega$
 Material: Polycarbonate
 Limiting temperatures: $-40^{\circ}\text{C} \sim +125^{\circ}\text{C}$
 Flammability acc. to (UL94): V0
 Mechanical working life -mating cycles: ≥ 500




面板开孔图
Panel cut

插针:
 接线方式: 螺钉连接
 材料: 铜合金
 表面处理: 镀银
 接触电阻:
 电源: $\leq 3 \Omega$
 信号: $\leq 1 \Omega$
 线径范围:
 电源: 1.5~16mm² (AWG16-6)
 信号: 0.5~2.5mm² (AWG20-14)
 拧紧力矩:
 电源: mm² 1.5 2.5 4 6 10 16
 N·m 1.2 2 3 3 3 3
 信号: 0.5N·m

Contacts:
 Terminal: screw terminal
 Material: Brass
 Surfac: hard-silver plated
 Contact resistance:
 Power arera: $\leq 3 \text{m} \Omega$
 Signal area: $\leq 1 \text{m} \Omega$
 Crimp terminal
 Power arera:
 Wire gauge--mm²: 1.5~16mm²
 Wire gauge--AWG: 16-6
 Signal area:
 Wire gauge--mm²: 0.5~2.5mm²
 Wire gauge--AWG: 20-14
 Tightening/Test torque:
 Power arera: mm² 1.5 2.5 4 6 10 16
 N·m 1.2 2 3 3 3 3
 Signal area: 0.5N·m



| Tolerance | SIGNATURE | DATE | Units | mm |  宁波欧科瑞连接器有限公司 NINGBO OUKERUI CONNECTOR CO.,LTD. |
|-------------------------|-----------|------|-------|----|---|
| 0~ $\leq 20 \pm 0.15$ | DRAW | | Size | A4 | |
| 20~ $\leq 50 \pm 0.25$ | DESIGN | | Scale | | |
| 50~ $\leq 80 \pm 0.35$ | CHECK | | Sheet | | |
| 80~ $\leq 120 \pm 0.50$ | APPROVE | | Proj. | | |

PART NAME: HZW-HK-4/8-F

| Drawing NO. | REV |
|-------------|-----|
| | |
| Material | A |