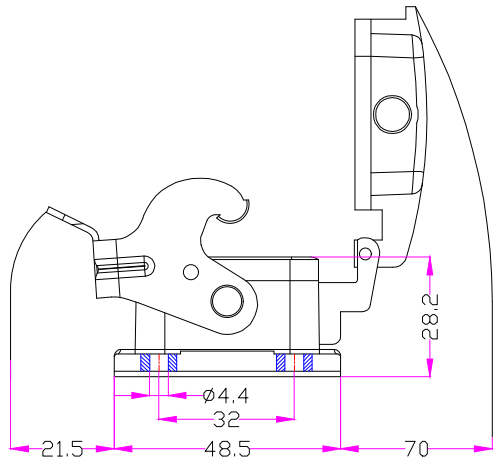
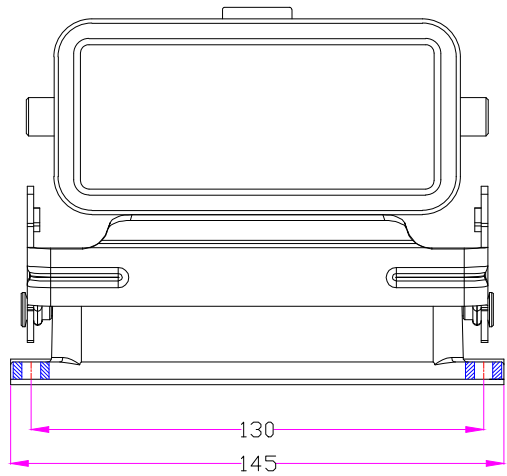
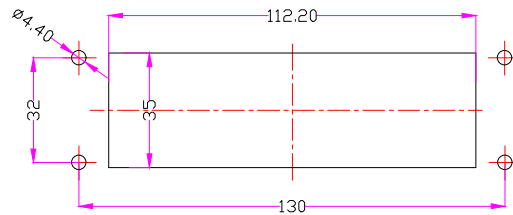


REVISION DATA				
SYM	ECN	DESCRIPTION	DATE	APPROVED




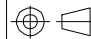
技术参数：  
 材料：压铸铝  
 表面处理：粉末喷涂  
 颜色：RAL7037灰色  
 温度范围：-40℃~+125℃  
 防护等级：IP65(联锁状态)  
 联锁元件  
     锁扣方式：单扣  
     材料：不锈钢  
 密封元件：NBR  
 出线方向：底部出线

Specifications:  
 Material: aluminium die-cast  
 Surface: powder-coated  
 Color: Grey (RAL 7037)  
 Limiting temperatures: -40℃~+125℃  
 Degree of protection: IP65  
 Locking element:  
     Locking type: single locking latch  
     material: stainless steel  
 Hoods/Housings sealing: NBR  
 Cable entry: bottom entry



### 面板开孔图

Panel cut

Tolerance		SIGNATURE	DATE	Units	mm	 宁波欧科瑞连接器有限公司 NINGBO OUKERUI CONNECTOR CO.,LTD.	
0~≤20 ±0.15	DRAW			Size	A4		
20~≤50 ±0.25	DESIGN			Scale		PART NAME: HZW-H24B-ST-MCV-1PL	
50~≤80 ±0.35	CHECK			Sheet		Drawing NO.	REV
80~≤120 ±0.50	APPROVE			Proj.		Material	A