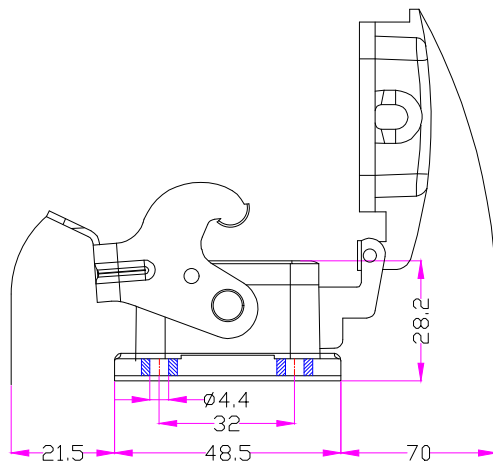
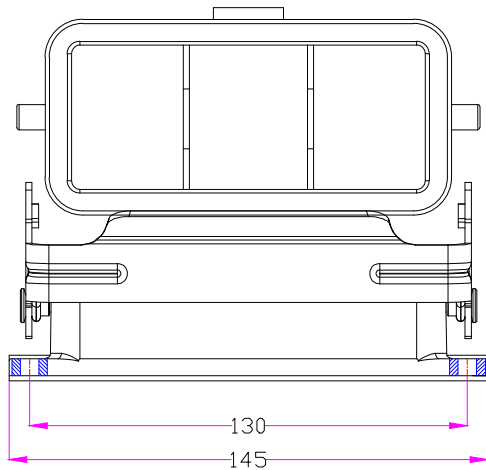
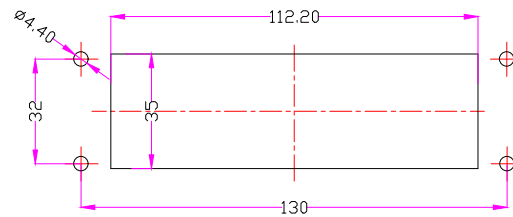


| REVISION DATA | | | | |
|---------------|-----|-------------|------|----------|
| SYM | ECN | DESCRIPTION | DATE | APPROVED |
| | | | | |
| | | | | |




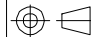
技术参数:
 材料: 压铸铝
 表面处理: 粉末喷涂
 颜色: RAL7037灰色
 温度范围: -40℃~+125℃
 防护等级: IP65(联锁状态)
 联锁元件
 锁扣方式: 单扣
 材料: 不锈钢
 密封元件: NBR
 出线方向: 底部出线

Specifications:
 Material: aluminium die-cast
 Surface: powder-coated
 Color: Grey(RAL 7037)
 Limiting temperatures: -40℃~+125℃
 Degree of protection : IP65
 Locking element :
 Locking type: single locking latch
 material: stainless steel
 Hoods/Housings sealing: NBR
 Cable entry: bottom entry



面板开孔图

Panel cut

| | | | | | | | |
|---------------|---------|-----------|------|-------|---|---|-----|
| Tolerance | | SIGNATURE | DATE | Units | mm |  宁波欧科瑞连接器有限公司 NINGBO OUKERUI CONNECTOR CO.,LTD. | |
| 0~≤20 ±0.15 | DRAW | | | Size | A4 | | |
| 20~≤50 ±0.25 | DESIGN | | | Scale | | PART NAME: HZW-H124B-ST-CV-1PL | |
| 50~≤80 ±0.35 | CHECK | | | Sheet | | Drawing NO. | REV |
| 80~≤120 ±0.50 | APPROVE | | | Proj. |  | Material | A |