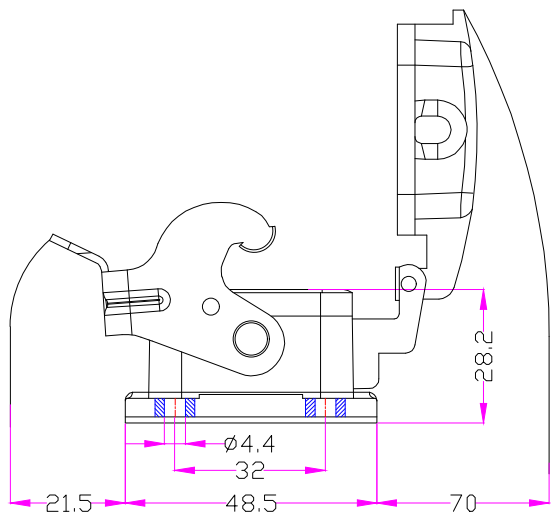
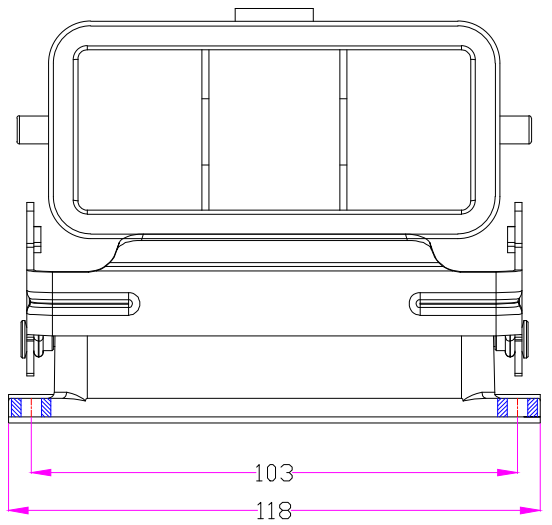


REVISION DATA				
SYM	ECN	DESCRIPTION	DATE	APPROVED

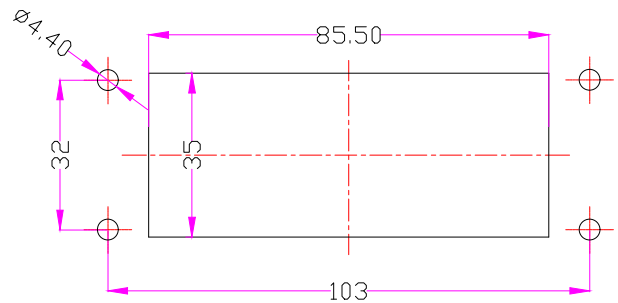



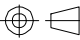
技术参数:  
 材料: 压铸铝  
 表面处理: 粉末喷涂  
 颜色: RAL7037灰色  
 温度范围:  $-40^{\circ}\text{C} \sim +125^{\circ}\text{C}$   
 防护等级: IP65 (联锁状态)  
 联锁元件  
   锁扣方式: 单扣  
   材料: 不锈钢  
 密封元件: NBR  
 出线方向: 底部出线

Specifications:  
 Material: aluminium die-cast  
 Surface: powder-coated  
 Color: Grey (RAL 7037)  
 Limiting temperatures:  $-40^{\circ}\text{C} \sim +125^{\circ}\text{C}$   
 Degree of protection: IP65  
 Locking element:  
   Locking type: single locking latch  
   material: stainless steel  
 Hoods/Housings sealing: NBR  
 Cable entry: bottom entry

### 面板开孔图

Panel cut



Tolerance		SIGNATURE	DATE	Units	mm	 <b>宁波欧科瑞连接器有限公司</b> NINGBO OKERUI CONNECTOR CO., LTD.	
0~≤20 ±0.15	DRAW			Size	A4		
20~≤50 ±0.25	DESIGN			Scale		PART NAME: HZW-H16B-ST-CV-1PL	
50~≤80 ±0.35	CHECK			Sheet		Drawing NO.	REV
80~≤120 ±0.50	APPROVE			Proj.		Material	A