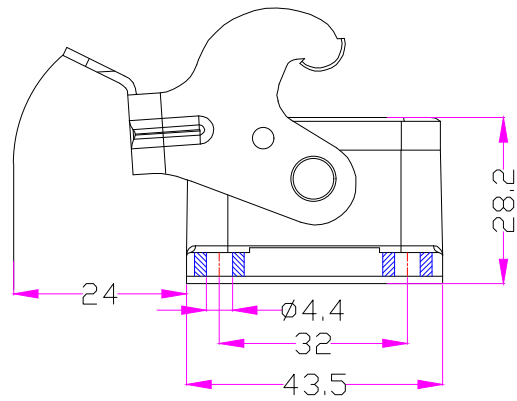
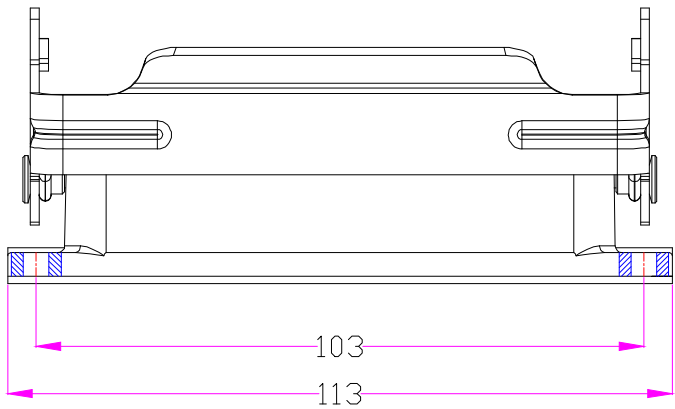


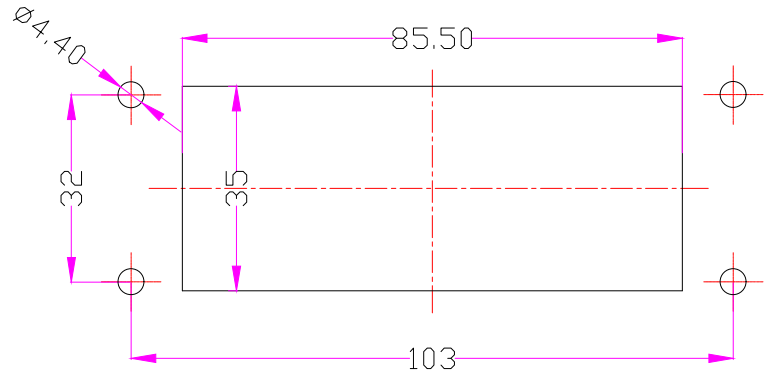
| REVISION DATA |     |             |      |          |
|---------------|-----|-------------|------|----------|
| SYM           | ECN | DESCRIPTION | DATE | APPROVED |
|               |     |             |      |          |
|               |     |             |      |          |



技术参数:  
 材料: 压铸铝  
 表面处理: 粉末喷涂  
 颜色: RAL7037灰色  
 温度范围: -40℃~+125℃  
 防护等级: IP65 (联锁状态)  
 联锁元件  
   锁扣方式: 单扣  
   材料: 不锈钢  
 密封元件: NBR  
 出线方向: 底部出线


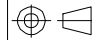
### 面板开孔图

Panel cut



Specifications:  
 Material: aluminium die-cast  
 Surface: powder-coated  
 Color: Grey (RAL 7037)  
 Limiting temperatures: -40℃~+125℃  
 Degree of protection: IP65  
 Locking element:  
   Locking type: single locking latch  
   material: stainless steel  
 Hoods/Housings sealing: NBR  
 Cable entry: bottom entry



|               |         |           |      |       |   |  |     |
|---------------|---------|-----------|------|-------|---|--|-----|
| Tolerance     |         | SIGNATURE | DATE | Units | mm  |  宁波欧科瑞连接器有限公司<br>NINGBO OUKERUI CONNECTOR CO., LTD. |     |
| 0~≤20 ±0.15   | DRAW    |           |      | Size  | A4  |  |     |
| 20~≤50 ±0.25  | DESIGN  |           |      | Scale |   | PART NAME: HZW-H16B-ST-1PL   |     |
| 50~≤80 ±0.35  | CHECK   |           |      | Sheet |   | Drawing NO.  | REV |
| 80~≤120 ±0.50 | APPROVE |           |      | Proj. |  | Material   | A   |