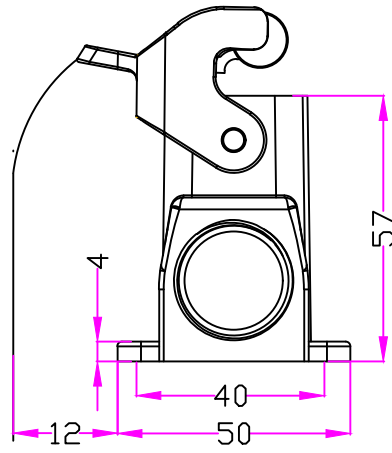
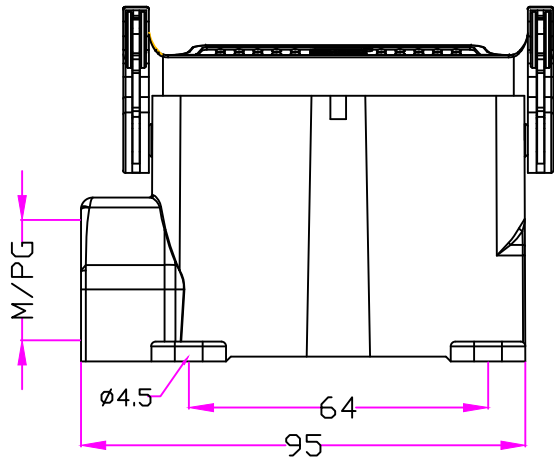


REVISION DATA				
SYM	ECN	DESCRIPTION	DATE	APPROVED



技术参数:

材料: 压铸铝

表面处理: 粉末喷涂

颜色: RAL7037灰色

温度范围: $-40^{\circ}\text{C} \sim +125^{\circ}\text{C}$

防护等级: IP65 (联锁状态)

联锁元件

锁扣方式: 单扣

材料: 弹簧钢+PC

出线方向: 侧出线

螺纹规格: M20/2M20/M25/2M25/PG16/2PG16/PG21

Specifications:

Material: aluminium die-cast

Surface: powder-coated

Color: Grey (RAL 7037)

Limiting temperatures: $-40^{\circ}\text{C} \sim +125^{\circ}\text{C}$

Degree of protection: IP65

Locking element:


Locking type: single locking latch

material: Springsteel+PC

Cable entry: side entry

Thread size: M20/2M20/M25/2M25/PG16/2PG16/PG21



Tolerance		SIGNATURE	DATE	Units	mm	 宁波欧科瑞连接器有限公司 NINGBO OUKERUI CONNECTOR CO., LTD.		
0~≤20 ±0.15	DRAW			Size	A4	PART NAME: HZW-H16A-SG-1PL-M/PG		
20~≤50 ±0.25	DESIGN			Scale		Drawing NO.		REV
50~≤80 ±0.35	CHECK			Sheet		Material		A
80~≤120 ±0.50	APPROVE			Proj.	