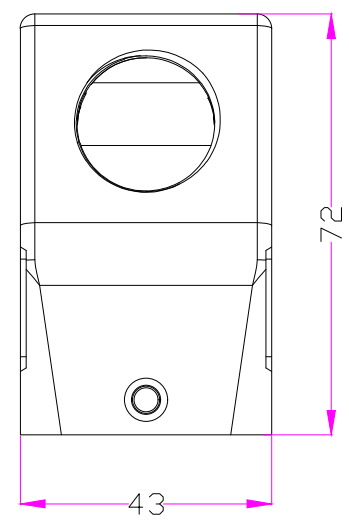
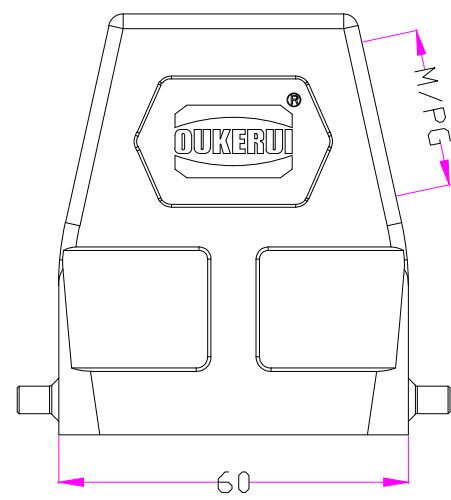



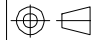
REVISION DATA				
SYM	ECN	DESCRIPTION	DATE	APPROVED



技术参数：  
 材料：压铸铝  
 表面处理：粉末喷涂  
 颜色：RAL7037灰色  
 温度范围：-40℃~+125℃  
 防护等级：IP65 (联锁状态)  
 出线方向：斜出线  
 螺纹规格：M25/PG21/PG32

Specifications:  
 Material: aluminium die-cast  
 Surface: powder-coated  
 Color: Grey (RAL 7037)  
 Limiting temperatures: -40℃~+125℃  
 Degree of protection: IP65  
 Cable entry: Side entry  
 Thread size: M25/PG21/PG32



Tolerance		SIGNATURE	DATE	Units	mm	 宁波欧科瑞连接器有限公司 NINGBO OUKERUI CONNECTOR CO., LTD.	
0~≤20 ±0.15	DRAW			Size	A4		
20~≤50 ±0.25	DESIGN			Scale		PART NAME: HZW-H6B-SKH-2g-M/PG	
50~≤80 ±0.35	CHECK			Sheet		Drawing NO.	REV
80~≤120 ±0.50	APPROVE			Proj.		Material	A