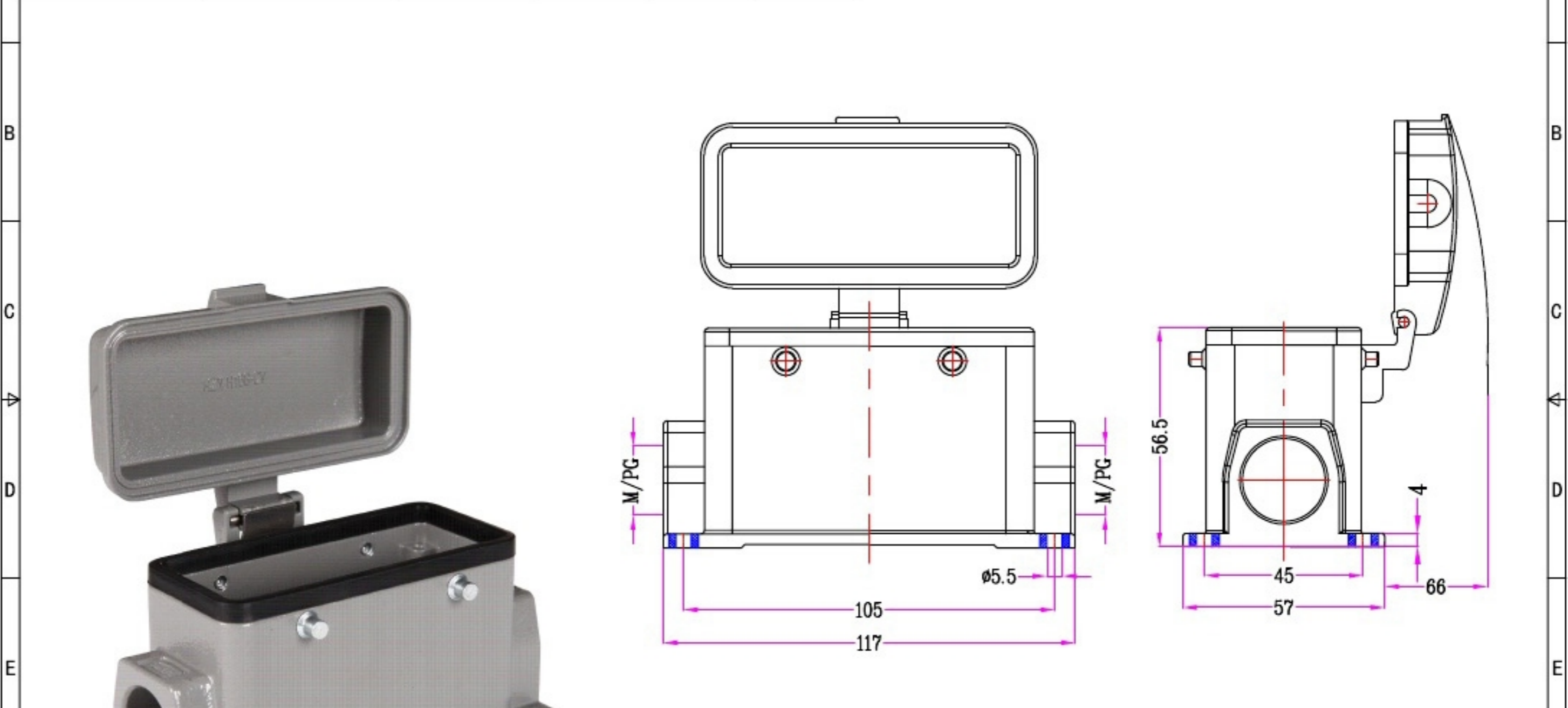

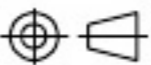


1	2	3	4	5	6	7	8			
Identification	Type name	Part number	Thread(M/PG)	Lever type	Your Choice	REVISION DATA				
Housings Surface mounting With metal cover	HZW-H16B-SG-4g-MCV-M25	82 324 016 125	M25			SYM	ECN	DESCRIPTION	DATE	APPROVED
	HZW-H16B-SG-4g-MCV-2M25	82 324 016 225	2M25							
	HZW-H16B-SG-4g-MCV-PG21	82 324 016 121	PG21							
	HZW-H16B-SG-4g-MCV-2PG21	82 324 016 221	2PG21							



	SIGNATURE	DATE	Units	mm	 宁波欧科瑞连接器有限公司 NINGBO OKERUI CONNECTOR CO.,LTD.		
DRAW			Size	A4			
DESIGN			Scale		TYPE NAME	HZW-H16B-SG-4g-MCV-M/PG	
CHECK			Sheet	1/1	Part number	82 324 016 XXX	REV
APPROVE			Proj.		File path	OKR.16B.H16BL	A0