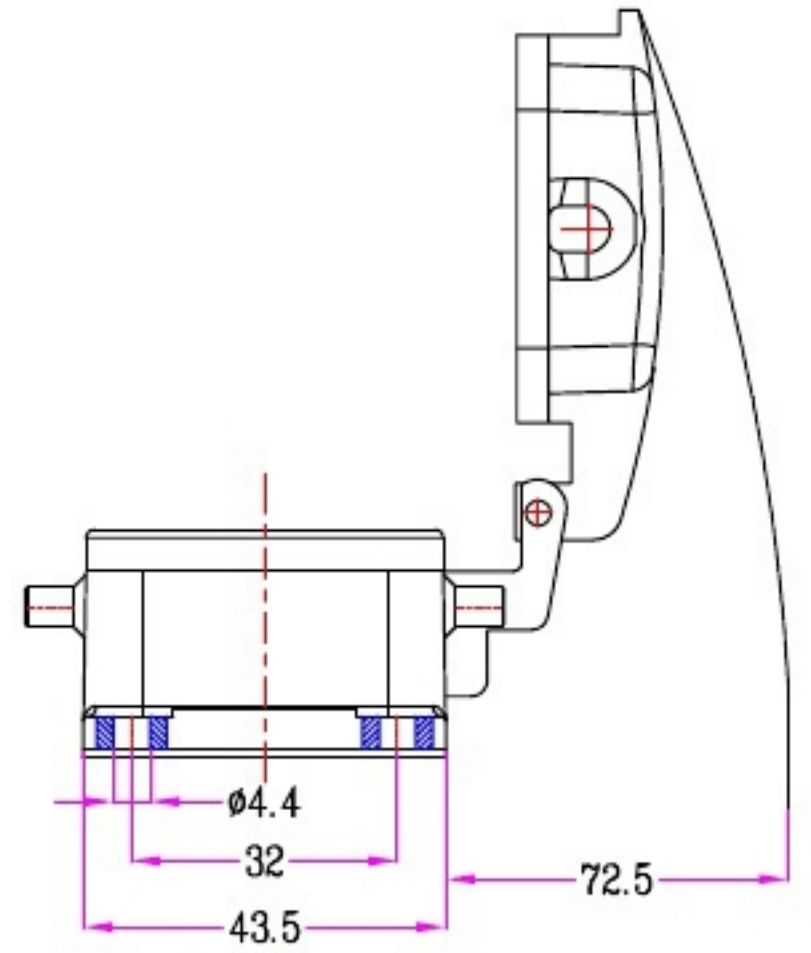
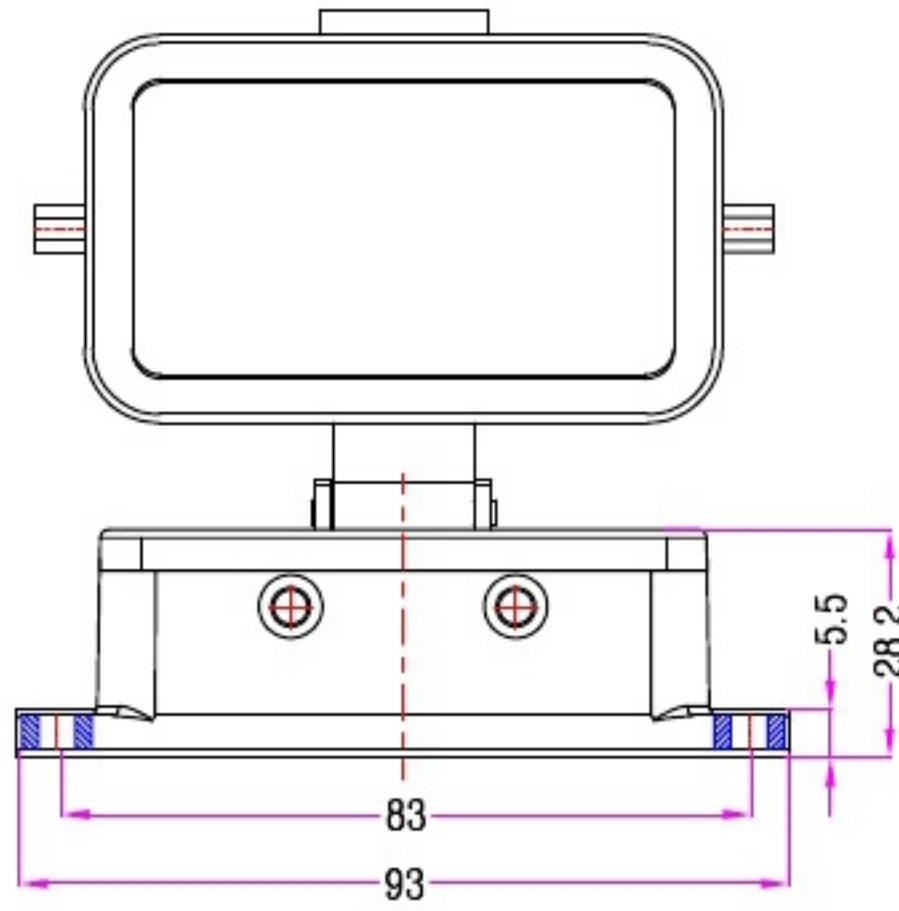
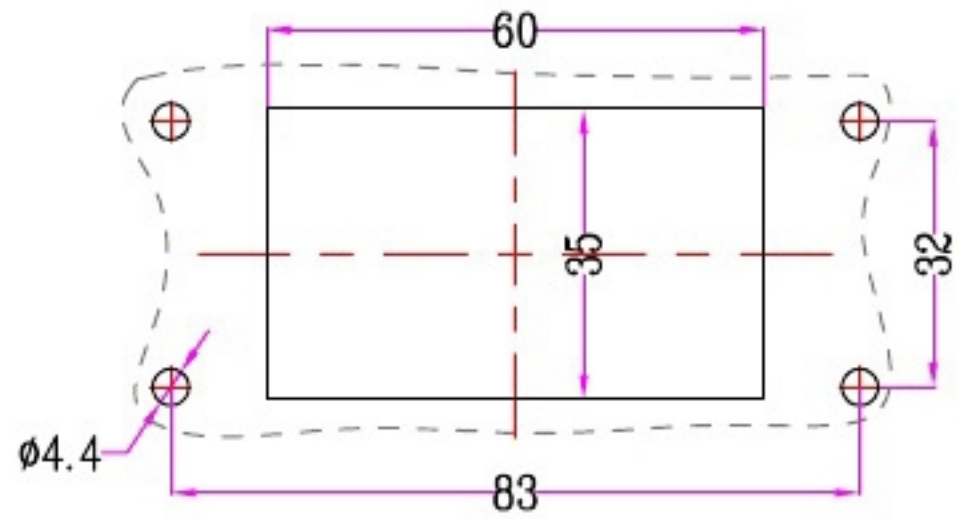



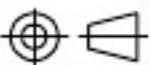
1	2	3	4	5
Identification	Type name	Part number	Thread(M/PG)	Lever type
Housings Bulkhead mounting With thermo-Plastic cover	HZW-H10B-ST-4g-CV	81 302 010 102		
				Your Choice

6					7			8		
REVISION DATA					SYM		ECN		DESCRIPTION	



Bulkhead mounting  
Panel cut out



	SIGNATURE	DATE	Units	mm	 宁波欧科瑞连接器有限公司 NINGBO OKERUI CONNECTOR CO.,LTD.	
DRAW			Size	A4	TYPE NAME	HZW-H10B-ST-4g-CV
DESIGN			Scale		Part number	81 302 010 102
CHECK			Sheet	1/1	REV	
APPROVE			Proj.		File path	OKR.10B.H10BL